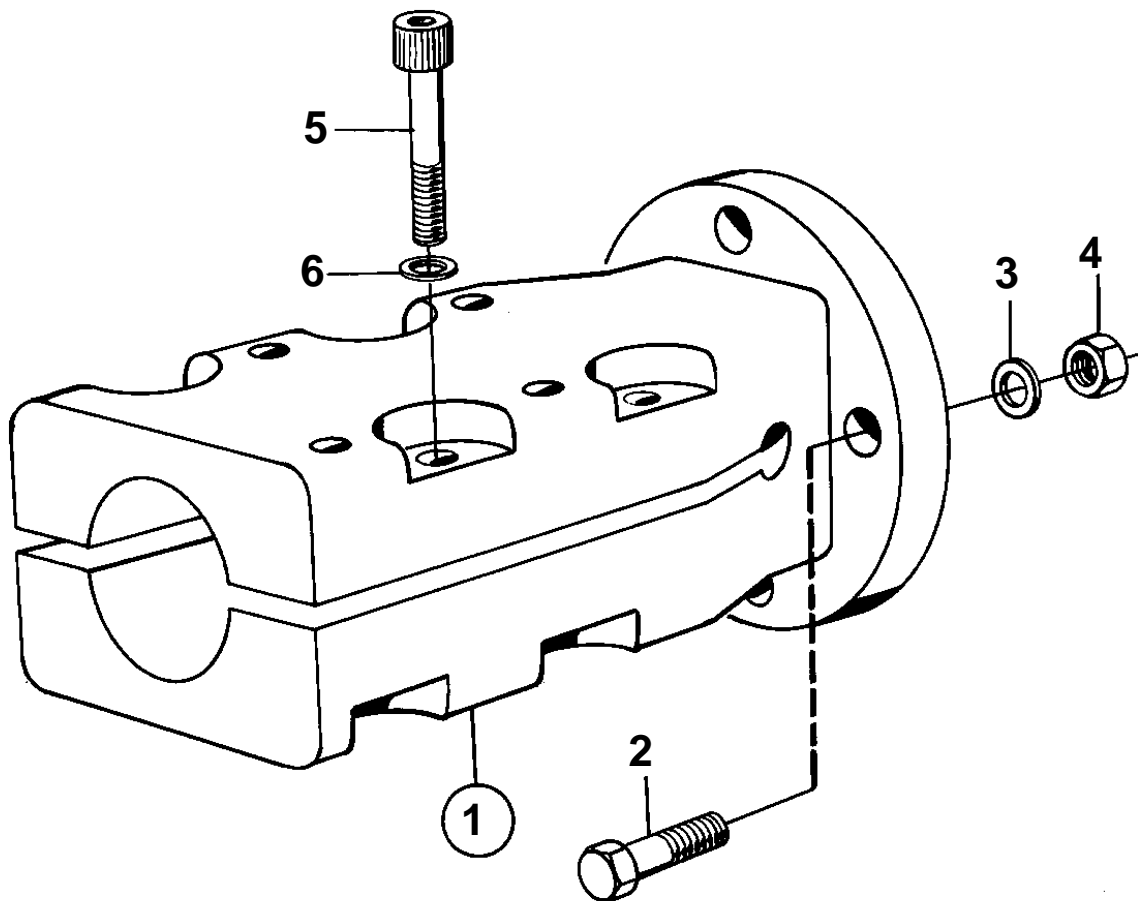


COMMON



4623

COMMON

REF	PART NO.	QTY	DESCRIPTION	NOTES
1		1	Clamp coupling	For 40mm propeller shaft.. For PRM reverse gear.
2	955693	4	· Screw	L=38mm
	955691	4	· Screw	L=25mm
3	941909	4	· Spring washer	
4	950375	4	· Nut	
5	948670	8	· Screw	
6	947345	8	· Washer	